

OPERATION AND MAINTENANCE MANUAL

Soft Touch Side Rail (Set of 2)

Head PN 7540028BEI
PN 7540028BLK
Foot PN 7540033BEI
PN 7540033BLK

CONTENTS

Warnings.....	1
Capacity.....	2
Installation.....	2
Operation.....	4
Reducing the Risk of Entrapment.....	4
Maintenance.....	5
Limited Warranty.....	5

SPECIAL NOTES

WARNINGS/CAUTION NOTICES in the manual apply to hazards or unsafe practices which could result in personal injury and/or property damage.

NOTICE

The information in this document is subject to change without notice.

Check all parts for shipping damage before using. **DO NOT USE IF DAMAGED. ONLY USE AUTHENTIC NOA REPLACEMENT PARTS.** Contact customer service at 1 (636) 239-7600 and the freight carrier for further instruction.

This product has been engineered to provide reliable operation.

This product has been thoroughly tested and inspected prior to shipment.



WARNINGS

DO NOT OPERATE THIS EQUIPMENT WITHOUT FIRST READING AND UNDERSTANDING THIS MANUAL. IF YOU ARE UNABLE TO UNDERSTAND THE WARNINGS, CAUTIONS OR INSTRUCTIONS, CONTACT A HEALTHCARE PROFESSIONAL OR A QUALIFIED TECHNICIAN BEFORE USING THIS EQUIPMENT, OTHERWISE INJURY OR DAMAGE MAY RESULT.

- These side rails are not for pediatric use.
- Close supervision by a caregiver is necessary when this product is used near CHILDREN OR PEOPLE WITH DISABILITIES.
- When operating/moving the bed always ensure that the individual utilizing the bed is positioned properly within the confines of the bed. **DO NOT** let any extremities protrude over the side or between the rails when performing these functions.
- After installation and before use, make sure all attaching hardware is securely tightened.
- Keep all moving parts free from obstruction i.e. blankets/sheets, heating blankets/pads, tubing, wiring, etc. which may get tangled around the bed, side rails, or legs during operation of the bed.
- The side rails are **NOT** intended and may **NOT** be used as a restraint. If necessary, a physician or healthcare professional should be consulted for other means of safe restraint.
- When using side rails, if excessive side pressure is exerted on them they can be deformed or broken. Do not use side rails as handles to move the bed.
- Body weight should be evenly distributed over the surface of the bed. The bed weight capacity is noted on the serial number label at the foot of the bed. This is the total weight of the resident/patient, mattress, bedding, head and foot boards, side rails and any other accessories.
- Unplug the power cord when performing any maintenance on the bed.

NOTICE: The information in this document is subject to change without notice.

CAPACITY

The Side Rail has been designed and tested to meet or exceed the application of forces specified by the International Safety Standard IEC601-2-38, "Particular requirements for the safety of electrically operated hospital beds" figure 113.

INSTALLATION

Required Tools

Plastic hammer

Included Parts

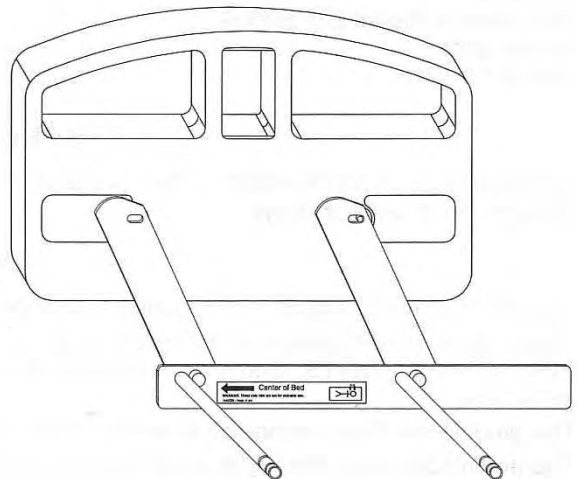
7540028BEI:

- A. (1) Side Rail Assembly – Head, Right (SHOWN)
- B. (1) Side Rail Assembly – Head, Left (NOT SHOWN)

- OR -

7540033BEI:

- A. (1) Side Rail Assembly – Foot, Right (NOT SHOWN)
- B. (1) Side Rail Assembly – Foot, Left (NOT SHOWN)

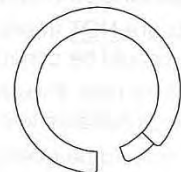


Note: Directional descriptions refer to the resident in a supine position.

- C. (8) E-rings



- D. (8) Snap-in Nylon Bearings



Installation

Rail Location

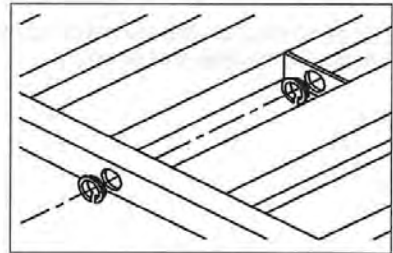
1. Position the rail in the locked (raised) position. Side rails are provided with a label on the face of the mount plate that indicates appropriate bed position locations.



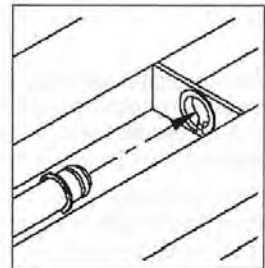
DO NOT USE SIDE RAILS IN OTHER LOCATIONS THAN THOSE LISTED.

Bed Attachment

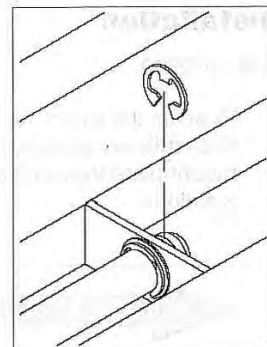
2. Insert Snap-in Nylon Bearings into bed sleepdeck mount holes on bed frame.



3. Insert Side Rail Attachment Pins into bed sleepdeck mount holes ensuring that the rail is properly located on the bed. Install (1) E-ring in the groove closest to the side rail on each Attachment Pin, 2 places per rail.



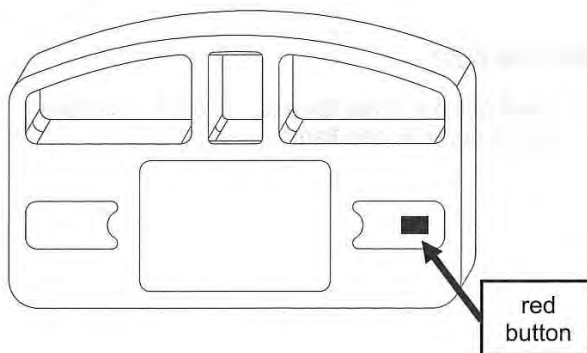
4. Fully insert the Side Rail Attachment Pin through the inner mount clip on the bed sleepdeck. Install (1) E-ring in the groove farthest from the side rail, 2 places per rail. When installed correctly, an E-ring should be on both sides of the sleepdeck inner mount clip. Verify that all E-rings are properly seated.



OPERATION

To Raise: Rotate the Side Rail upward and toward the center of the bed. Ensure that the lock is engaged and functioning properly.

To Lower: Depress the red button to disengage the lock, then rotate the Side Rail down.



REDUCING THE RISK OF ENTRAPMENT

The Hospital Bed Safety Workgroup (HBSW) in partnership with the FDA has recognized potential entrapment zones in hospital bed systems and has developed dimensional guidance to reduce the risk of entrapment. The FDA considers the term "hospital bed system" to encompass the bed frame and its components, including the mattress, bed side rails, head and foot boards, and any accessories to the bed.

The entrapment zones involve the relationship of components controlled by the healthcare facility or individual user. Compliance to the dimensional guidelines for reducing the risk of entrapment is primarily the responsibility of the healthcare facility or the individual user.

Anyone having any involvement with hospital bed systems should review and understand the FDA guidelines. These guidelines, entitled "Hospital Bed System Dimensional and Assessment Guidance to Reduce Entrapment - Guidance for Industry and FDA Staff," are available at the FDA website.

MAINTENANCE

Routine Inspection

1. Review "**REDUCING THE RISK OF ENTRAPMENT**" listed in this manual.
2. Review and inspect for compliance the "**WARNINGS**" listed in this manual.
3. Inspect all components for damage or excessive wear.
4. Visually examine all welds for cracks.
5. Inspect all bolts and fasteners. (Do not over tighten bolts at pivot points.)

Cleaning

Clean with a mild solution of antiseptic cleaner and warm water. Read and follow all label instructions on the cleaning products. DO NOT STEAM OR PRESSURE WASH.

Replacement parts

Replacement parts may be purchased by contacting Customer Service at 1 (636) 239-7600. Parts are available for frequently requested components as follows: PN 1500096-Hardware Bag (8 - E-rings, 8 - Snap-in Nylon Bearings).

LIMITED WARRANTY

The Manufacturer warrants to the original user ("Customer") all products manufactured by the Manufacturer to be free from defects in material and workmanship under normal use and service for a period of 2 years. If such a defect appears and Customer has given immediate written notice of same, the Manufacturer shall replace or repair such part at the Manufacturer's option. The Manufacturer will require the return of the defective part to establish the claim. The Manufacturer's obligation under this warranty shall be limited to said replacement and/or repair.

Installation and freight costs for replaced or repaired items remain the responsibility of the Customer. This warranty does not cover failure due to negligence, accident, deliberate abuse, nor improper installation and/or maintenance. Modifications made to products (including modifications without the expressed written consent of the Manufacturer) shall void this warranty in its entirety. NO FURTHER WARRANTIES, EXPRESS OR IMPLIED, INCLUDING, BUT NOT LIMITED TO, WARRANTIES OF MERCHANTABILITY OR FITNESS FOR A PARTICULAR PURPOSE NOT SPECIFIED HEREIN, ARE MADE BY THE MANUFACTURER, and this warranty sets forth the full extent of the liability arising from the manufacture, use or sale of the products and materials sold hereunder.

No allowances will be made for delays or loss of profit, nor for any other special, indirect or consequential damages or injuries, whether based on tort or contract.

801 Terry Lane, Washington, Missouri 63090
Phone: (636) 239-7600 Fax: (636) 239-6900